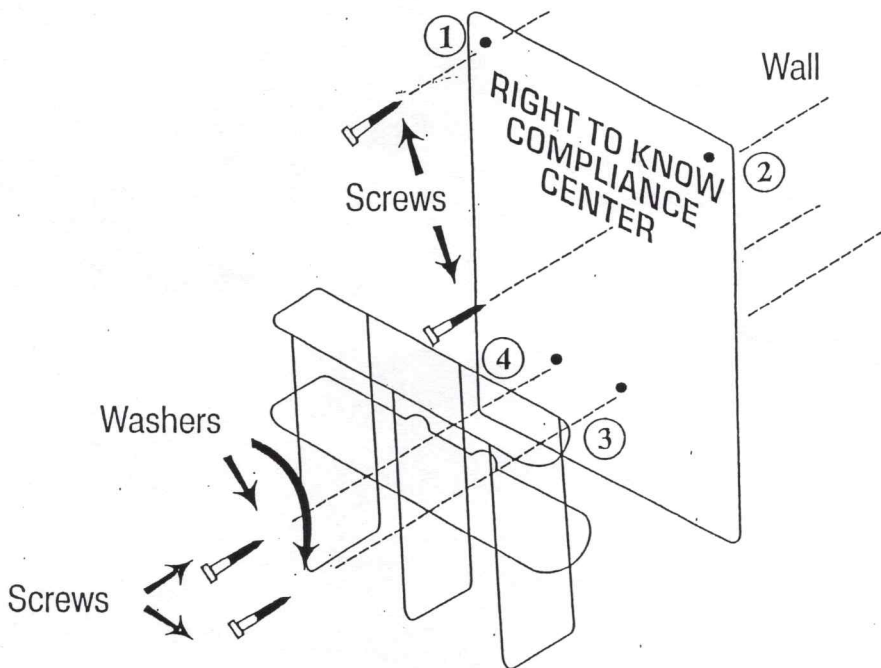


# INSTALLATION INSTRUCTIONS

## RIGHT TO KNOW COMPLIANCE CENTER



1. Before mounting sign on wall. be sure there are no hidden pipes or wires in the wall you could accidentally hit when screwing in.
2. Using the board as a template, mark four holes and use a 1/4" drill to drill four holes into the wall. Then insert the four wall anchors into the holes.
3. Mount the board by placing two screws through holes 1 and 2. Mount the wire basket to the wall and board by using screws and washers as shown through holes 3 and 4.