

7Y/2636-3Y

impact
Everything.

VALUE-PLUS SIDEPRESS WRINGER AND PLASTIC BUCKET COMBO INSTRUCTIONS



Rubber Mallet



Safety eye shields

PACKAGE INCLUDES

4 caster/socket assemblies

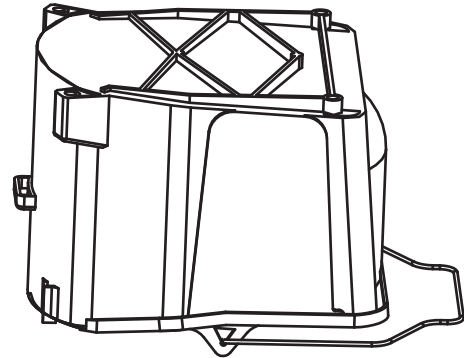
1 bucket

1 sidepress wringer

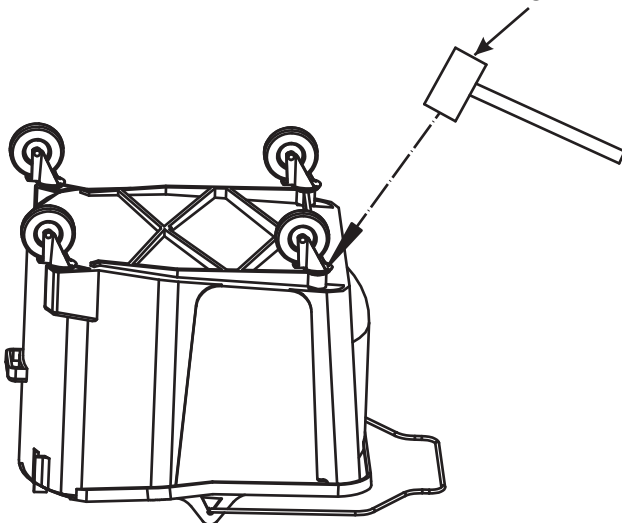
Updated 08.09.19

DIRECTIONS

1. Place the bucket upside down on a flat & firm surface.

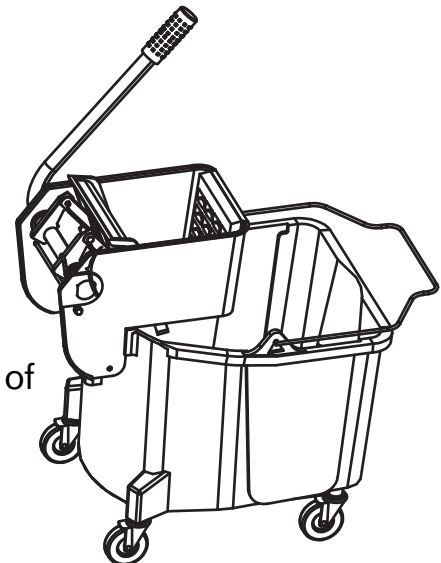


RUBBER Mallet



2. Insert the caster/socket assemblies into the holes in the bottom of the bucket. Using a rubber mallet, pound the caster/socket assemblies further into the holes by striking the metal caster casing. Do not pound on the caster wheel itself.

3. Place wringer on back of bucket as shown.



impact
Everything.