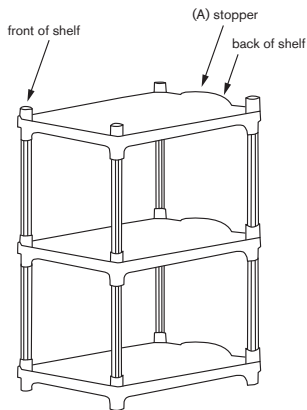
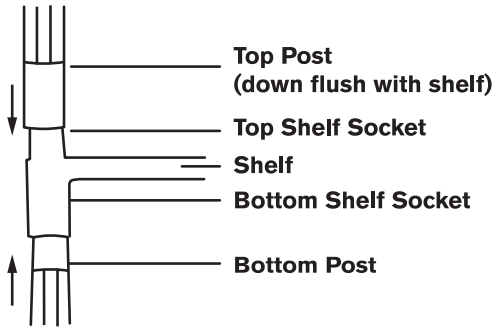


ASSEMBLY INSTRUCTIONS FOR STACK RACK™

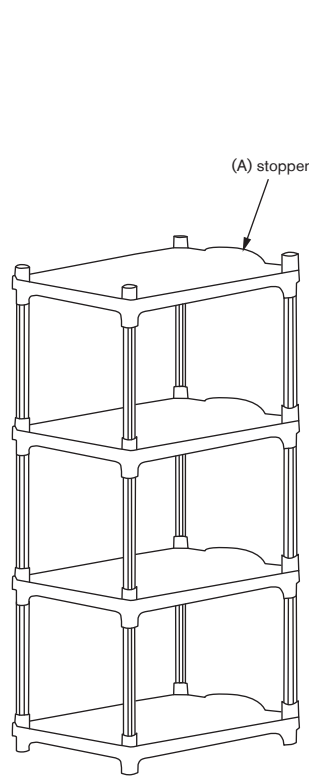
NOTE: Do not assemble STACK RACK™ unless it is at room temperature of 65°F

The unassembled STACK RACK™ carton consists of the following items:

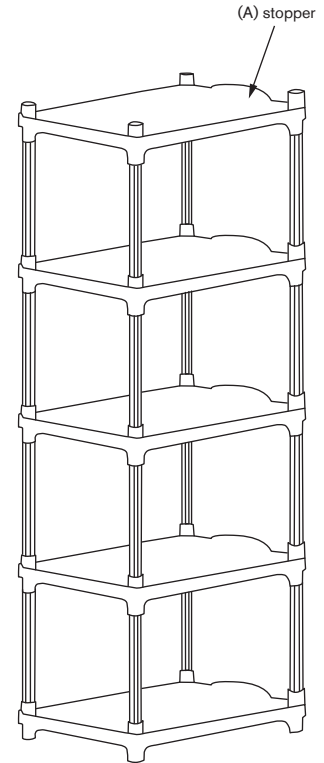
- for the 3 Shelf STACK RACK™ - 3 plastic shelves and 8 plastic posts
- for the 4 Shelf STACK RACK™ - 4 plastic shelves and 12 plastic posts
- for the 5 Shelf STACK RACK™ - 5 plastic shelves and 16 plastic posts
- one packet of 4 plastic end caps to be placed on the end fittings of top shelf once STACK RACK™ is fully assembled



3 Shelf STACK RACK™



4 Shelf STACK RACK™



5 Shelf STACK RACK™

STACK RACK™ should be assembled as follows:

1. Place one of the plastic shelves on a flat surface with the smooth side facing up. Insert one post over each one of the top shelf sockets of the shelf then push down with a slight twist until post is flush with shelf. Make sure each post is flush with shelf to assure proper balance.
2. Keeping the “Stopper” (A) aligned with the “Stopper” on the bottom shelf, place the next shelf smooth side up so the 4 vertical posts already assembled, slide into the bottom shelf sockets of the shelf. “Stoppers” should be aligned for proper inserting of all plastic containers.
3. Simply apply downward pressure to each corner of the shelf to secure tight fit of the shelf.
4. The above assembly procedure should be repeated for the next of the posts and shelves until the STACK RACK™ is completely assembled.
5. After completing assembly, use package of plastic end caps and place 4 end fittings to top shelf.

NOTE: Replacement parts available. Please contact your local distributor